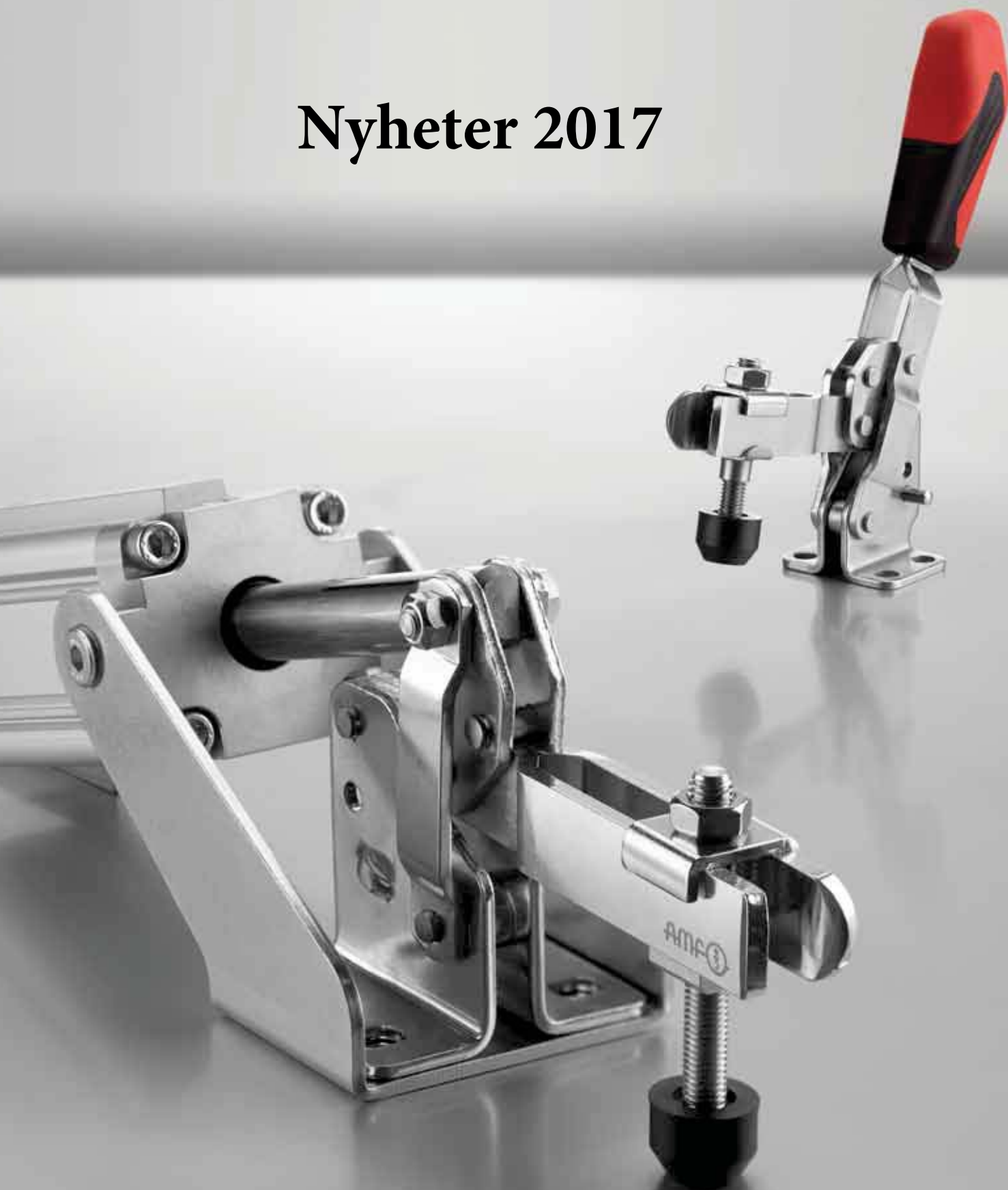


TOGGLE CLAMPS,  
MANUAL AND  
PNEUMATIC



## Nyheter 2017





**PNEUMATIC CLAMP WITH LEVER**

No. 6828H, page 91

**NEW!**



**NEW!**

**HORIZONTAL TOGGLE CLAMP PLUS**

No. 68300NI, page 50



**NEW!**

**PNEUMATIC CLAMP**

No. 6820A, page 80



**PNEUMATIC CLAMP**

No. 6821A, page 81

**NEW!**

**CLAMPING SCREW**

No. 68301NI, page 108

**NEW!**



**NEW!**



**ROTATABLE BASE UNIT**

No. 6898V, page 107



**NEW!**

**HORIZONTAL TOGGLE CLAMP VARIABLE**

No. 6872, page 61



**NEW!**

**HORIZONTAL TOGGLE CLAMP VARIABLE**

No. 6871, page 61



**NEW!**

**HORIZONTAL TOGGLE CLAMP VARIABLE**

No. 6870, page 60

**PUSH-PULL TYPE TOGGLE CLAMP VARIABLE**

No. 6873, page 62



**NEW!**



**NEW!**

**PUSH-PULL TYPE TOGGLE CLAMP VARIABLE**

No. 6874, page 62

## No. 68300NI

### Horizontal toggle clamp plus

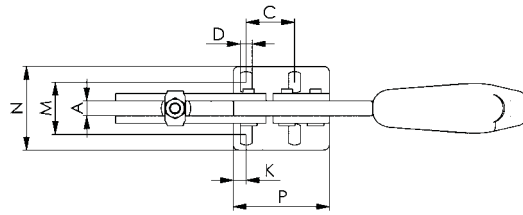
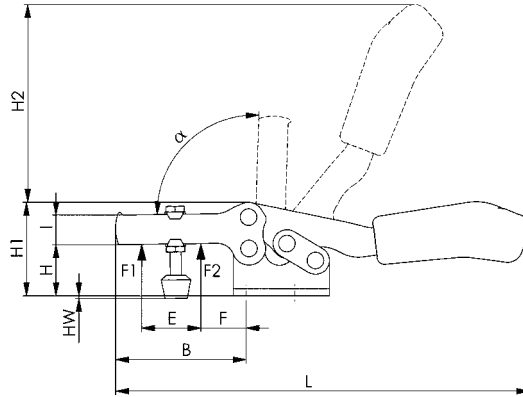
with increased retaining forces, open clamp arm and horizontal base. Stainless steel, polished. Bearings positioned are lubricated. Ergonomic, oil-resistant handle with large grip surface and soft components. Safety clamping piece with retainer for the clamping screw at the end of the clamping arm. **Supplied complete with stainless clamping screw no. 68301NI.** Also suitable for use in the food industry.



Order no.	Size	F1 [kN]	F2 [kN]	Clamping screw	Weight [g]
555175	2	1,6	3,0	M6 x 50	450
555176	4	3,5	8,0	M10 x 76	1250



**NEW!**



### Recommendations



No. 68301NI,  
page 108



No. 6800NI,  
page 47

### Dimensions:

Order no.	Size	A	B	C	D	E	F	H	H1	H2	HW min.	HW max.	I	K	L	M	N	P	$\alpha$
555175	2	8	71	26,0	6,5	39	14	28	51	110	-1	12,0	16	7,0	224	23,5 - 34	46	52	90°
555176	4	10	120	41,5	8,6	69	23	41	77	135	-2	17,5	24	10,5	329	34,5 - 45	60	76	90°

Subject to technical alterations.

No. 6870

## Horizontal toggle clamp variable

with open clamping arm and horizontal base.

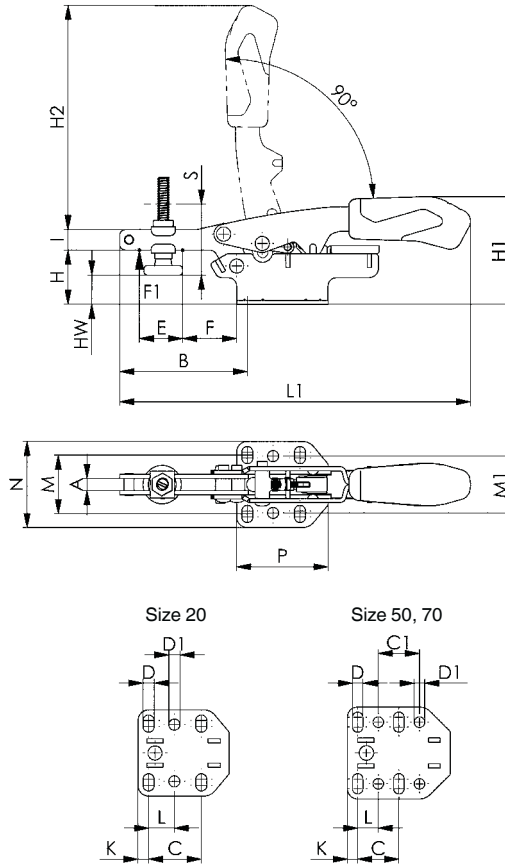
Toggle clamp with continuous counterbalance function for workpieces with different clamping heights. Galvanised and passivated. Ergonomic, oil-resistant handle with large grip surface and soft components. Retainer for the clamping screw at the end of the clamp arm.

Complete with galvanised clamping screw.



Order no.	Size	F1 [kN]	Automatic height compensation S [mm]	Maximum height compensation [mm]	Clamping screw	Weight [g]
554878	20	2	20	35	M6 x 40	272
554879	50	3	35	40	M8 x 39	499
554880	70	3	35	60	M8 x 55	544

**NEW!**



### Recommendations



No. 6860, page 26



No. 68300, page 21

### Dimensions:

Order no.	Size	A	B	C	C1	D	D1	E	F	H	H1	H2	HW min.	HW max.	I	K	L	L1	M	M1	N	P
554878	20	6,0	63	26,0	-	5,5	5,5	22	26	27,0	53,0	111	-6,5	14	10	5,3	12,7	173	26 - 32	28	42,5	45,0
554879	50	8,4	104	24,5	25,4	6,5	6,5	35	22	23,0	58,5	158	-8,5	6	13	6,3	12,7	244	32 - 44	38	57,0	63,5
554880	70	8,4	104	25,4	25,4	6,5	6,5	35	50	40,5	76,5	158	-6,5	24	13	6,3	12,7	243	32 - 44	38	57,0	63,5

## No. 6871

### Horizontal toggle clamp variable

with open clamping arm and angle base.

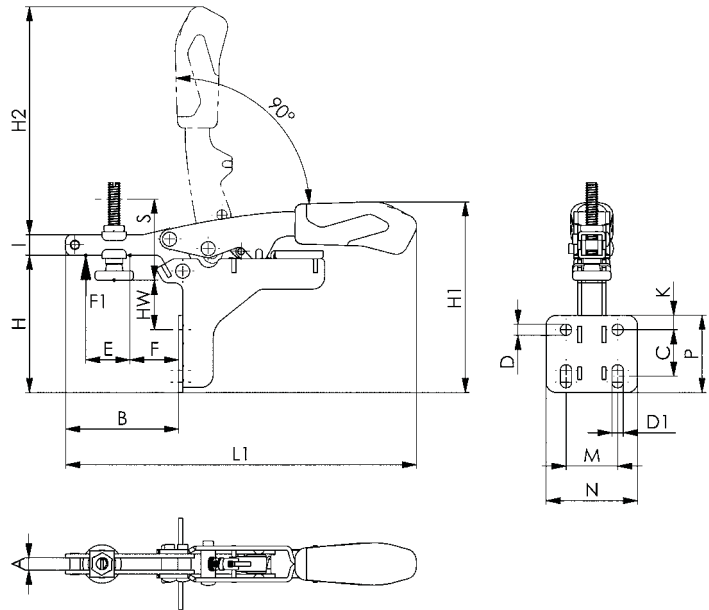
Toggle clamp with continuous counterbalance function for workpieces with different clamping heights. Galvanised and passivated. Ergonomic, oil-resistant handle with large grip surface and soft components. Retainer for the clamping screw at the end of the clamp arm. Complete with galvanised clamping screw.



CAD

Order no.	Size	F1 [kN]	Automatic height compensation S [mm]	Maximum height compensation [mm]	Clamping screw	Weight [g]
554881	20	2	20	35	M6 x 40	272
554882	50	3	35	40	M8 x 55	544

**NEW!**



### Dimensions:

Order no.	Size	A	B	C	D	D1	E	F	H	H1	H2	HW min.	HW max.	I	K	L1	M	N	P
554881	20	6,0	56	20,0 - 26,0	5,6	5,6	22	24	68	94	113	-3	24	10	7,1	173	25,4	45	38
554882	50	8,4	85	20,4 - 30,4	6,5	6,5	35	37	88	124	158	1	31	13	10,6	244	38,1	57	51

## No. 6872

### Horizontal toggle clamp variable

with open clamping arm and vertical base.

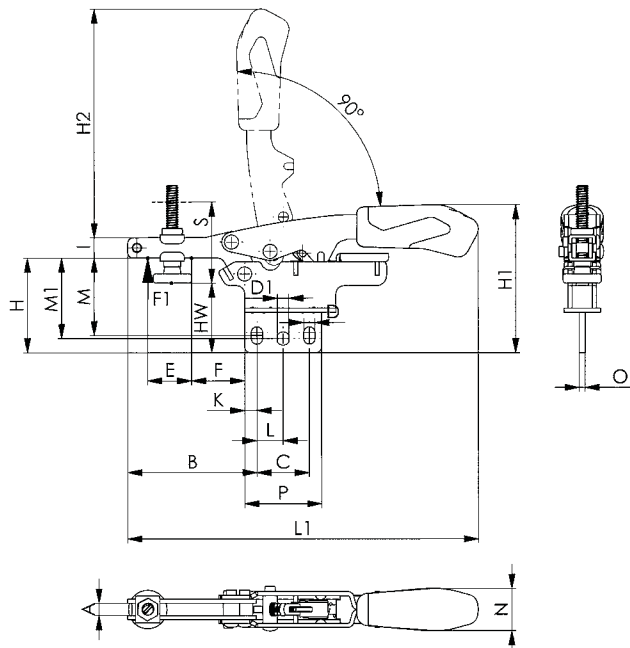
Toggle clamp with continuous counterbalance function for workpieces with different clamping heights. Galvanised and passivated. Ergonomic, oil-resistant handle with large grip surface and soft components. Retainer for the clamping screw at the end of the clamp arm. Complete with galvanised clamping screw.



CAD

Order no.	Size	F1 [kN]	Automatic height compensation S [mm]	Maximum height compensation [mm]	Clamping screw	Weight [g]
554883	20	2	20	35	M6 x 40	272
554884	50	3	35	40	M8 x 39	544

**NEW!**



### Recommendations



No. 6860,  
page 26

No. 68300,  
page 21

### Dimensions:

Order no.	Size	A	B	C	D	D1	E	F	H	H1	H2	HW min.	HW max.	I	K	L	L1	M	M1	N	O	P
554883	20	6,0	64,0	25,9	5,6	5,6	22	26	47	73	113	13,0	34	10	6,0	12,9	173	37 - 40	39,8	21	3	38
554884	50	8,4	106,5	38,0	6,5	6,5	35	50	59	94,5	158	27,5	42	13	8,5	19,0	243	45 - 49	49,0	21	4	55

Subject to technical alterations.

## No. 6873

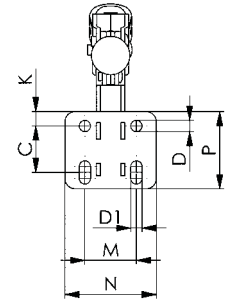
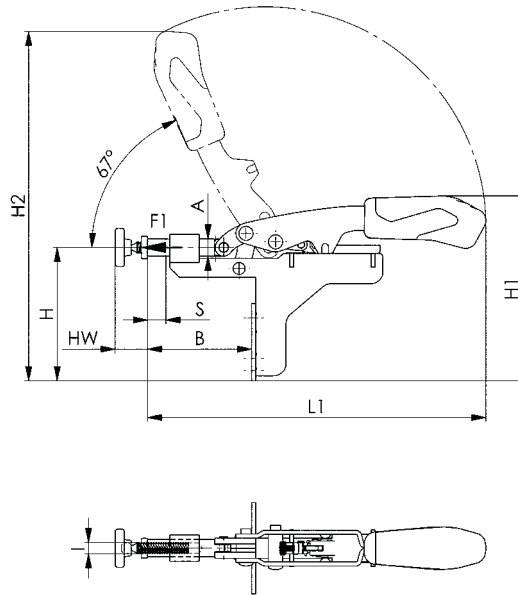
### Push-pull type toggle clamp variable with angle base.

Toggle clamp with continuous counterbalance function for workpieces with different clamping widths. Galvanised and passivated. Ergonomic, oil-resistant handle with large grip surface and soft components. Retainer for the clamping screw at the end of the clamp arm. Complete with galvanised clamping screw.



Order no.	Size	F1 [kN]	Automatic stroke compensation S [mm]	Maximum stroke compensation [mm]	Clamping screw	Weight [g]
554885	15	2	8	25	M6 x 29	272
554886	25	3	13	35	M8 x 38	544

**NEW!**



### Dimensions:

Order no.	Size	A	B	C	D	D1	H	H1	H2	HW min.	HW max.	I	K	L1	M	N	P
554885	15	8,5	42 - 51	20,0 - 26,0	5,6	5,6	66	91	173	12	29	M6	7,1	167	25,4	45	38
554886	25	11,8	58 - 83	20,4 - 30,4	6,5	6,5	84	119	244	17	39	M8	10,6	236	38,1	57	51

## No. 6874

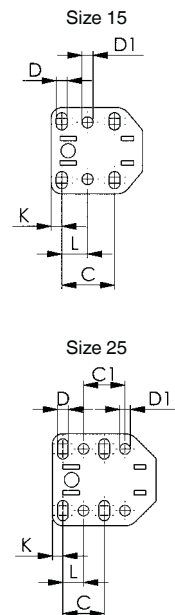
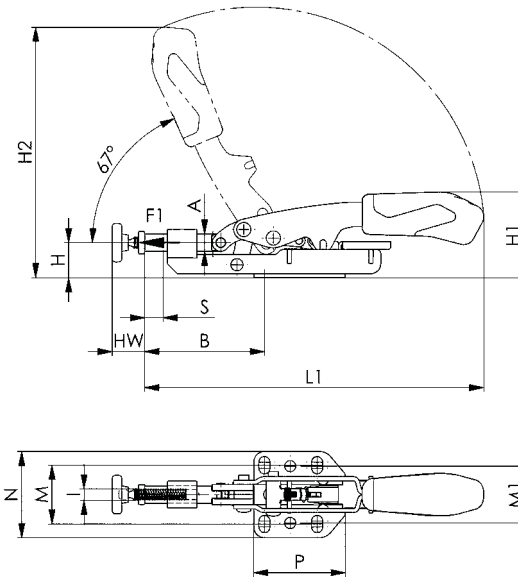
### Push-pull type toggle clamp variable with horizontal base.

Toggle clamp with continuous counterbalance function for workpieces with different clamping heights. Galvanised and passivated. Ergonomic, oil-resistant handle with large grip surface and soft components. Retainer for the clamping screw at the end of the clamp arm. Complete with galvanised clamping screw.



Order no.	Size	F1 [kN]	Automatic stroke compensation S [mm]	Maximum stroke compensation [mm]	Clamping screw	Weight [g]
554887	15	2	8	25	M6 x 29	272
554888	25	3	13	35	M8 x 38	499

**NEW!**



### Recommendations



No. 6842, page 31

No. 6841, page 27

### Dimensions:

Order no.	Size	A	B	C	C1	D	D1	H	H1	H2	HW min.	HW max.	I	K	L	L1	M	M1	N	P
554887	15	8,5	50 - 59	26,0	-	5,5	5,5	17,5	42	124	12	29	M6	5,3	12,7	167	26 - 32	28	42,5	45,0
554888	25	11,8	67 - 92	25,4	25,4	6,5	6,5	23,0	59	170	17	39	M8	6,3	12,7	236	32 - 44	38	57,0	63,5

Subject to technical alterations.

## No. 6820A

### Pneumatic clamp

with horizontal cylinder attachment.  
 Fitted with pneumatic cylinder, double-acting. **With magnetic piston for end-position monitoring.** With throttle bores for reduced speed. Clamps are galvanised and passivated. Stainless steel rivets which, for sizes 2 to 4, run in hardened bearing bushes. Bearings positioned are lubricated.  
**Complete with tempered, galvanised clamping screw no. 6890.**



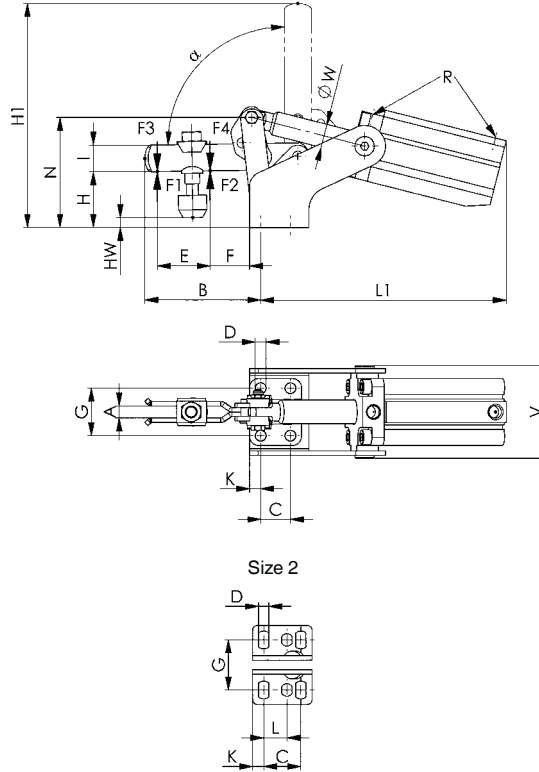
CAD

Order no.	Size	F1 [kN]	F2 [kN]	F3 [kN]	F4 [kN]	Vn [dm³]	Clamping screw	Weight [g]
555061	1	0,8	1,1	0,20	0,3	0,08	M5 x 30	320
555062	2	1,0	1,2	0,70	1,0	0,26	M6 x 30	600
555063	3	1,0	2,5	0,65	1,1	0,35	M8 x 45	1005
555064	4	2,0	3,0	1,50	2,2	0,80	M8 x 65	1520

#### Note:

Suitable proximity switches for end-position monitoring are available using order no. 392241. 0.3 m PUR cable with M8 connector and rotatable knurled nuts.  
 Switching function: NOC. Output: PNP.

**NEW!**



#### Recommendations



No. 6895,  
page 113



No. 6821A,  
page 81

#### Dimensions:

Order no.	Size	A	B	C	D	E	F	G	H	H1	HW min.	HW max.	I	K	L	L1	N	R	V	dia. W	Piston dia.	Opening angle $\alpha$
555061	1	5	39,0	16	4,5	18	6	24	21,0	84	-2,0	4,5	10	6,0	-	126,0	45,5	M5	50,0	8	16	92,0°
555062	2	6	51,5	20	5,5	25	11	27	26,0	104	-1,0	7,0	12	6,0	12,5	145,0	55,0	M5	54,5	12	25	91,5°
555063	3	8	78,0	20	7,5	36	19	32	36,5	151	5,4	14,0	18	7,5	-	165,5	74,5	G1/8	62,5	16	32	90,0°
555064	4	10	101,0	32	8,6	45	25	45	45,0	191	-3,0	25,5	20	13,0	-	196,0	90,0	G1/8	77,5	16	40	90,5°



## No. 6821A

### Pneumatic clamp

with vertical cylinder structure.  
 Space-saving angled form. Vertical or horizontal mounting.  
 Fitted with pneumatic cylinder, double-acting. **With magnetic piston for end-position monitoring.** With throttle bores for reduced speed. Clamps are galvanised and passivated.  
 Stainless steel rivets, which run in hardened bearing bushes.  
 Bearings positioned are lubricated.  
**Complete with tempered, galvanised clamping screw no. 6890.**



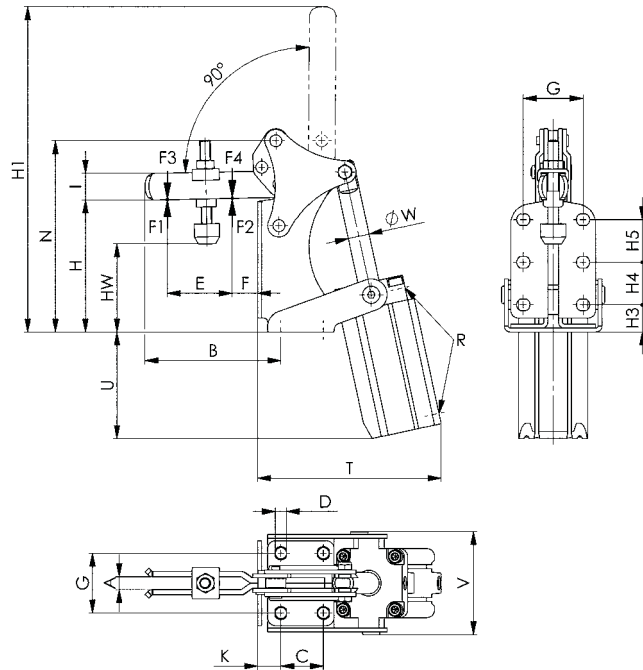
CAD

Order no.	Size	F1 [kN]	F2 [kN]	F3 [kN]	F4 [kN]	Vn [dm³]	Clamping screw	Weight [g]
555065	2	1	1,2	0,70	1,0	0,26	M6 x 35	625
555066	3	1	2,5	0,65	1,1	0,35	M8 x 45	1025
555067	4	2	3,0	1,50	2,2	0,80	M8 x 65	1700

### Note:

Suitable proximity switches for end-position monitoring are available using order no. 392241. 0.3 m PUR cable with M8 connector and rotatable knurled nuts.  
 Switching function: NOC. Output: PNP.

**NEW!**



### Recommendations



No. 6895,  
page 113



No. 6829V,  
page 89



No. 6826C,  
page 85

### Dimensions:

Order no.	Size	A	B	C	D	E	F	G	H	H1	H3	H4	H5	HW min.	HW max.	I	K	N	R	T	U	V	dia. W	Piston dia.
555065	2	6	56,5	12,5	5,6	25	6,5	27	65,0	143,5	15,8	12,5	12,5	38,4	45,0	12	15,3	94	M5	93,0	67,5	54,5	12	25
555066	3	8	80,5	16,0	6,5	36	12,5	25	68,7	184,0	17,5	16,0	-	38,0	46,5	18	16,5	107	G1/8	112,5	78,0	62,5	16	32
555067	4	10	102,0	32,0	8,5	49	19,0	45	100,0	245,0	20,5	32,0	32,0	51,0	80,0	20	17,5	144	G1/4	139,0	80,0	77,5	16	40

## No. 6828H

### Pneumatic clamp with lever

double-acting and with additional lever for manual opening and/or closing.

Max. operating pressure 6 bar.

Mini design in block version for clamping and gripping

technology. High-strength aluminium, red anodised. **Magnetic piston for end-position monitoring.** Clamp arm made from steel, bronzed, with three bores.

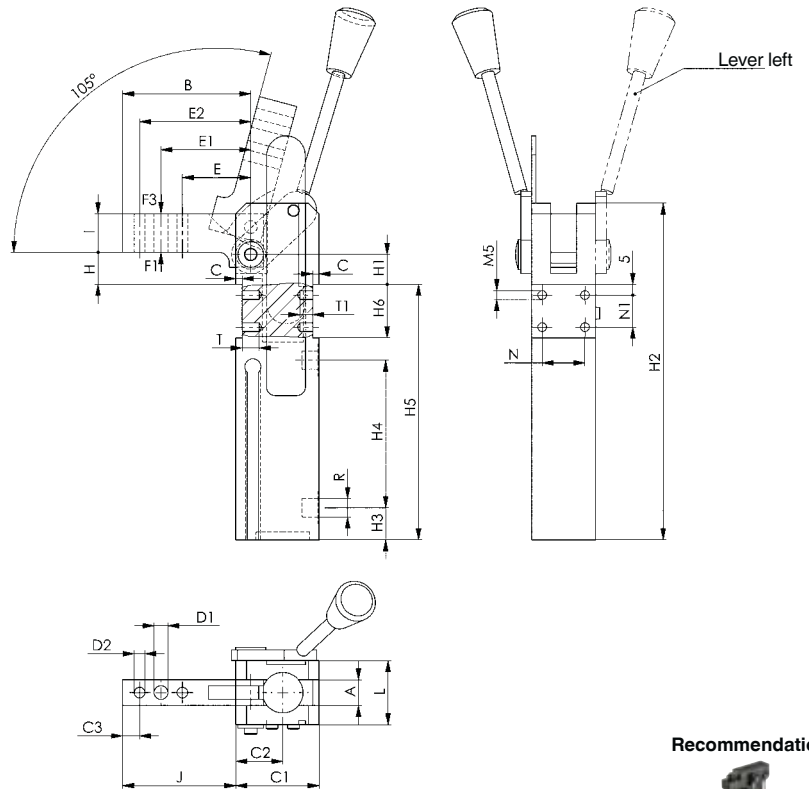
**NEW!**



Order no.	Size	Clamping moment at 5 bar [Nm]	Lever left	Lever right	Holding moment max. [Nm]	Weight [g]
555083	16	8	-	●	25	320
555170	16	8	●	-	25	320
555084	20	25	-	●	54	700
555171	20	8	●	-	54	700
555085	25	15	-	●	75	920
555172	25	25	●	-	75	920

#### Note:

Suitable proximity switches for end-position monitoring are available using order no. 392241. 0.3 m PUR cable with M8 connector and rotatable knurled nuts. Switching function: NOC. Output: PNP.



#### Recommendations



No. 6829V, page 89



No. 6828V, page 96

#### Dimensions:

Order no.	Size	A	B	C	C1	C2	C3	D1	D2	H7	E	E1	E2	H	H1	H2	H3	H4	H5	H6 +0.1	I	J	L	N ±0.1	N1 ±0.1	R	T	T1	Piston dia.
555083	16	10	50	2,5	32	18	6	5,5	4	28	36,0	44	7,5	7,5	123	12,0	57	96	20	15	44	26	16	10	M5	7	5	16	
555170	16	10	50	2,5	32	18	6	5,5	4	28	36,0	44	7,5	7,5	123	12,0	57	96	20	15	44	26	16	10	M5	7	5	16	
555084	20	12	60	3,0	39	22	8	6,5	5	32	42,0	52	15,0	14,0	158	15,0	69	120	25	18	53	30	20	15	G1/8	8	6	20	
555171	20	12	60	3,0	39	22	8	6,5	5	32	42,0	52	15,0	14,0	158	15,0	69	120	25	18	53	30	20	15	G1/8	8	6	20	
555085	25	16	75	4,0	45	25	10	8,5	6	40	52,5	65	19,0	17,0	182	17,5	80	136	28	22	68	35	25	18	G1/8	8	6	25	
555172	25	16	75	4,0	45	25	10	8,5	6	40	52,5	65	19,0	17,0	182	17,5	80	136	28	22	68	35	25	18	G1/8	8	6	25	

## No. 6897K

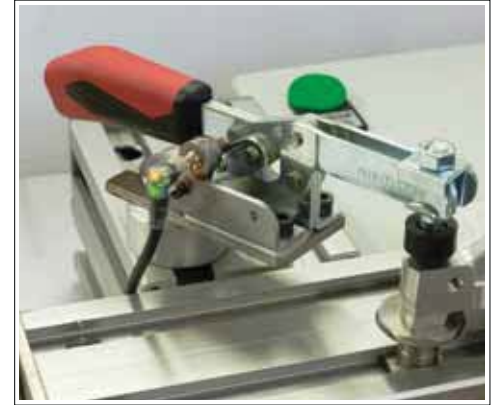
### Plug connection for sensor monitor

for sensor monitor no. 6897S.  
Angled plug connection, cable permanently injection-moulded on.

Order no.	Size	Cable length		Weight [g]
			[m]	
90613	1		2	75
90639	2		5	150

#### Note:

IP68 acc. to IEC 529, silicone-free, halogen-free, gold-plated contacts.



## No. 6898V

### Rotatable base unit

incl. stop pin for limiting the opening position of 90°

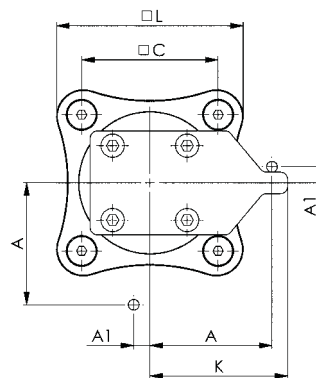
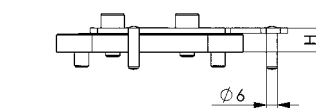
**NEW!**



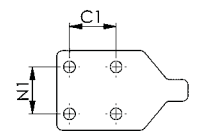
Order no.	Size	Weight [g]
555182	1	430
555183	2	915
555184	3	430
555185	4	922

#### Note:

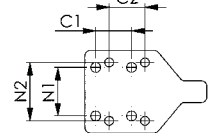
Order no. 555182 for toggle clamp 6830 Size 2 and 3  
Order no. 555183 for toggle clamp 6830 Size 4 and 5  
Order no. 555184 for toggle clamp 6800 Size 2 and 3  
Order no. 555185 for toggle clamp 6800 Size 4 and 5



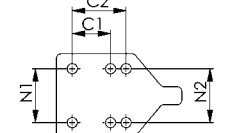
Size 1, 2



Size 3



Size 4



#### Dimensions:

Order no.	Size	A	A1	C	C1	C2	H	K	L	N1	N2
555182	1	41	9,0	54	26,0	-	11,4	47,0	76	26,0	-
555183	2	68	9,0	76	41,5	-	13,4	77,0	104	41,5	-
555184	3	41	9,0	54	20,0	20	11,4	45,0	76	27,0	32,5
555185	4	59	10,5	76	32,0	45	13,4	69,2	104	45,0	45,0

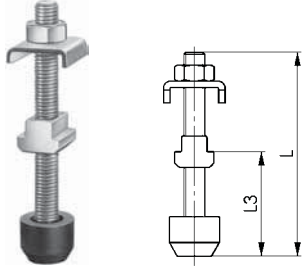
Subject to technical alterations.



## No. 6890

### Clamping screw

for open clamping arms, tempered, tensile strength class 8.8, galvanized and passivated, with removable rubber nose. Sizes 0-3 with washer/nut-element. Sizes 4-7 with nut.

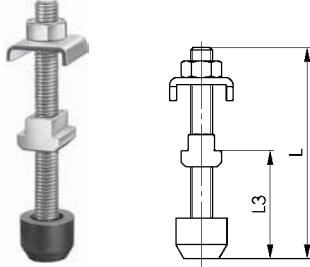


Order no.	Size	Screw DIN 933	T-Nut DIN 508	Washer size	L	L3	Weight [g]
98988	0/0	M 4x 25	-	0/0	32	13-20	5
99002	0	M 4x 25	-	0	32	13-20	5
99010	1	M 5x 30	-	1	38	17-24	10
99028	2	M 6x 35	-	2	45	19-28	22
99077	2	M 6x 50	-	2	60	19-43	30
99036	3	M 8x 45	-	3	58	22-34	40
99044	4	M 8x 65	M 8x10	4	78	21-50	62
99051	5	M 8x 65	M 8x10	5	78	21-45	62
99085	6	M12x 80	M12x14	6	97	28-58	160
99069	7	M12x110	M12x14	6	127	28-88	180

## No. 6890NI

### Clamping screw

for open clamping arms, stainless steel. Size 4 with 2 washers.

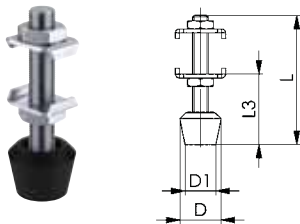


Order no.	Size	Screw DIN 933	Washer size	L	L3	Weight [g]
95950	0/0	M4x25	0/0	32	13-20	5
96040	0	M4x25	0	32	13-20	5
96057	1	M5x30	1	38	17-24	10
96065	2	M6x35	2	45	19-28	22
96073	3	M8x45	3	58	22-34	40
96081	4	M8x65	4	78	21-50	60

## No. 68301

### Clamping screw

For horizontal acting toggle clamp plus, complete with U-washers, hex nuts and screw with bonded pressure pad, made of oil-resistant neoprene to prevent damage to delicate workpieces. Hardness 85 Shore A, LABS-free (silicone-free). Strength class 8.8.

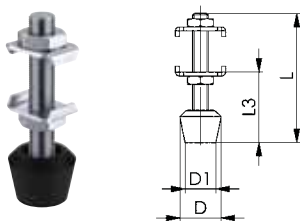


Order no.	Size	M x L	D	D1	L3	Weight [g]
552698	1	M5 x 35	11	10	9 - 18	15
551718	2	M6 x 50	16	12	17 - 29	20
551719	3	M8 x 58	21	16	21 - 34	36
551720	4	M10 x 76	26	20	28 - 44	95

## No. 68301NI

### Clamping screw

for horizontal toggle clamp plus, stainless steel.



**NEW!**

Order no.	Size	M x L	D	D1	L3	Weight [g]
555177	2	M6 x 50	16	12	17 - 29	20
555178	4	M10 x 76	26	20	28 - 44	95

Subject to technical alterations.