

Bar diameter	ø 8 - 80 mm
Bar length	700 - 1900 mm
Loading capacity	7 barstocks
Loading system	Chain loading rack
Z axis retraction	470 mm
<b>Option</b>	
Lower horizontal rack magazine to increase total loader capacity	330 mm

## "Third-dimension" barfeeding systems

### The way in which the bar loader is set up has an impact on the performance of the lathe / magazine bar loader duo

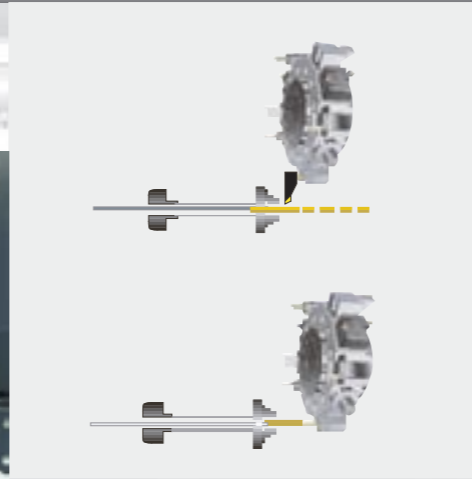
At this stage, the technician's skills, experience, and knowledge, in addition to the equipment's features, is added value.

### Making more room without compromising on precision

To change spindle liners, space must be created between the magazine bar loader and the headstock. The magazine bar loader moves without compromising its stability and, therefore, its precision.

### A driving force

The servo drive allows rapid movement during slack periods, thus reducing them to a minimum. The drive follows the bar with perfect accuracy without losing contact, and prevent shocks to the turret. Depending on the clamping system, the feed out to part length can be controlled by the magazine bar loader, or alternatively by the turret stop.



The user-friendly remote control helps the operator to set up the unit, and provides self-diagnosis and monitoring. The LNS worldwide technical support, with direct access to qualified assistance, provides solutions without delay to any production breakdown.

Z-axis retraction facilitates access to the spindle for changing spindle liners or for lathe maintenance operations. The chassis retracts up to 470 mm on the upper part of the stands and maintains perfect alignment with the spindle. This mechanism saves time spent in realignment.



