

Centricator-Precision centre finders

The dial indicator remains in the required position during the working process.

- With fixed cylindrical clamping shank \varnothing 16 mm.
 - C III-S** – ■ With adjustable slides for a large working range.
- Accuracy: 0.005 mm centring or working accuracy.**

- Application:**
- Applicable **horizontally and vertically**.
 - Alignment of bores, shafts, flat faces, reference edges and grooves centrally to the working spindle.
 - Checking the concentricity of working spindles.

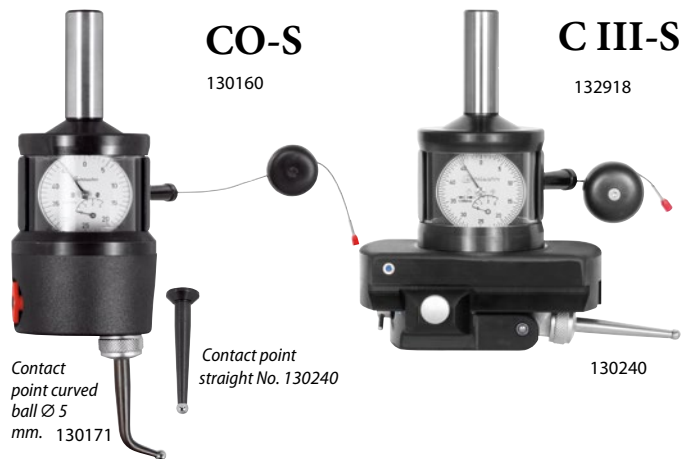
Supplied with:

CO-S – Contact point with ball \varnothing 5 mm 130240.
and curved contact point with ball \varnothing 5 mm . 130171

C III-S – Contact point with ball \varnothing 5 mm 130240
(also applicable for external \varnothing).

Optional extras: Contact points, see No. 359650 – 359670.

BONTHRON & EWING AB



130160	Centre finder CO-S with clamping shank \varnothing 16 mm	0,005
132918	Centre finder C III-S with clamping shank \varnothing 16 mm	0,005
Length without shank and probe	mm	92
Length without shank and probe	mm	102
Body \varnothing	mm	60
maximum slide \varnothing	mm	116
maximum speed of spindle	min ⁻¹	50 - 100
Measuring range of the dial indicator	mm	2.5
Probe pressure	N	1

	Can be fitted with (including special accessories):	CO-S centre finder		C III centre finder	
		Range mm \varnothing	Depth m	Range mm \varnothing	Depth m
Inner \varnothing	Contact point 5 mm \varnothing	6–125	55	6–200	55
	Contact point 1.6 mm \varnothing	2–125	55	2–220	55
	Right-angle contact point Extension	–	–	20–220 2–400	55 150
Outer \varnothing	Contact point	0–125	20	0–150	55
	Right-angle contact point Extension	–	–	0–220 0–300	55 150
	Flat surfaces	–	–	0– 90 90–280 90–280 280–480	28 40 40 –

Optional extras

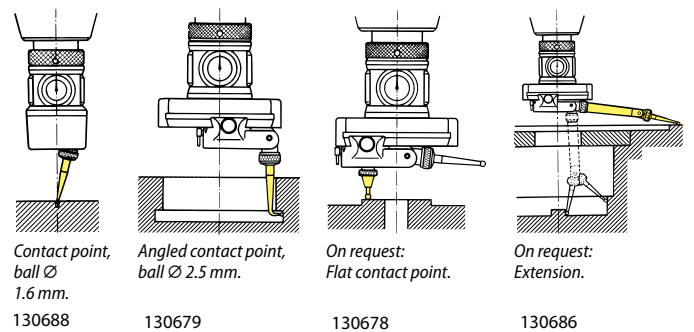
Suitable for: Centre finder CO-S and C III-S

BONTHRON & EWING AB

Supplied with: 130700 – Only for centre finder C III-S.

- 130700 – **Contact point, ball \varnothing 1.6 mm,**
Angled contact point, ball \varnothing 2.5 mm
Flat face contact point for aligning faces up to 90 mm \varnothing ,
Extension for increasing the working range
and for inaccessible places.

Accessories C III-S from the 4-part set No. 130700



130650	Probe / extension set
130688	Contact point, ball \varnothing 1.6 mm
130240	Spare contact point, straight \varnothing 5 mm
130679	Angled contact point \varnothing 2.5 mm
130171	Angled contact point \varnothing 5 mm

