

# Filtramag+

High performance magnetic filter for higher flow, higher contamination applications.

- Patented design
- Easy installation
- Unique Dual Flow Technology™ - maximises collection capability
- High flow capability
- Operates at up to 20 bar
- Removes both magnetic and non-magnetic contamination - optional mesh strainer
- Non block design
- Minimal pressure drop
- In-line connections
- Ideal for use in harsh chemical environments
- Full stainless steel construction



## How Filtramag+ works

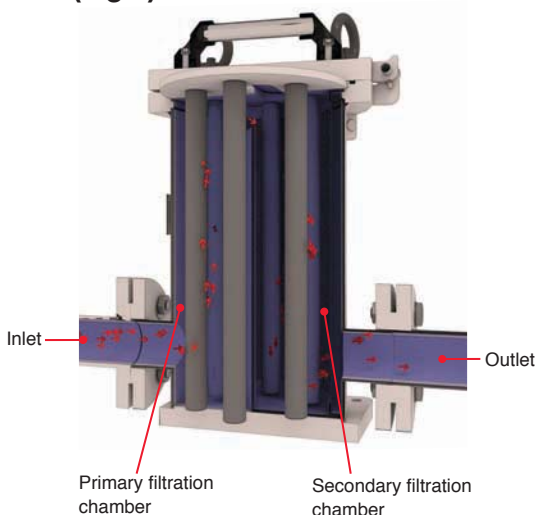
With a unique “Dual Flow Technology™” design (Fig 1) Filtramag+ is the most efficient filter of its type available. The dual flow design ensures that fluid is exposed to the high intensity magnets for the maximum time, thus ensuring almost 100% of ferrous contamination is removed on the first pass.

Fluid enters through the inlet and flows up through the primary filtration chamber, (Fig 2) it then flows down through the secondary filtration chamber (Fig 3).

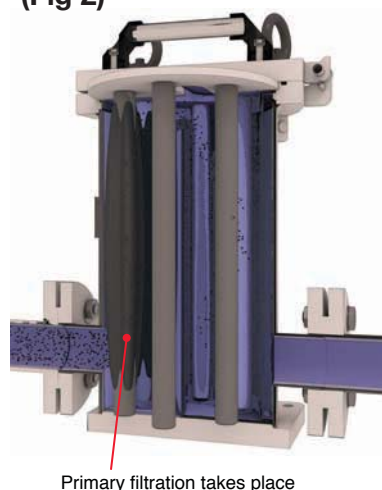
Fluid then passes through an optional mesh screen which removes non-magnetic debris. The patented magnetic circuit design ensures that the filter can never block even in high contamination applications.

The magnetic cores can be removed easily by hand and cleaned with the tool supplied. As an option a spare magnetic cartridge can be supplied to ensure production continuity.

(Fig 1)

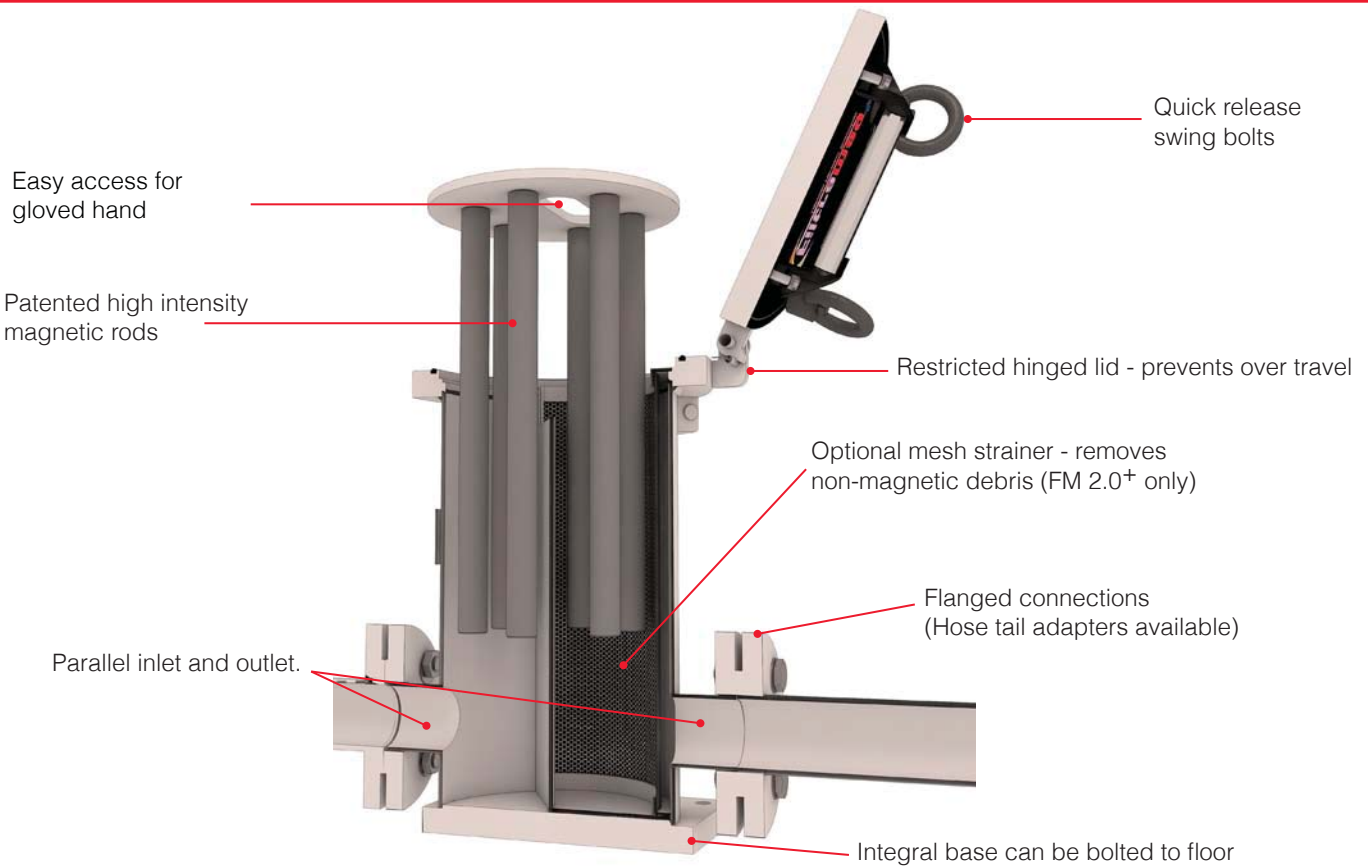


(Fig 2)

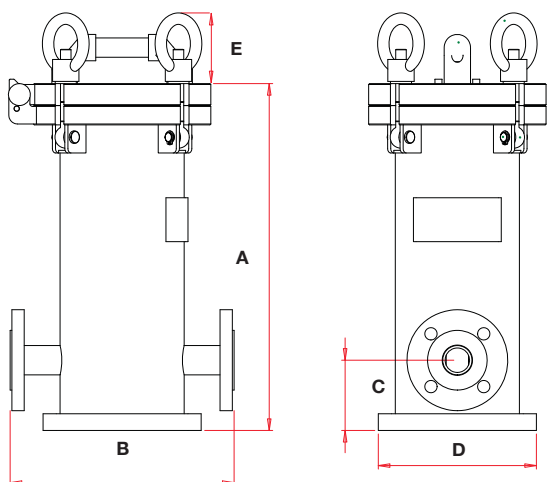


(Fig 3)





## Technical Data



### Special Applications

For processes with high levels of contamination, high fluid flow rates, high viscosity fluids or that operate continuously, multiple Filtrimag+ filters can be installed in parallel using a manifold. Each Filtrimag+ can be isolated, using a manual valve and cleaned without stopping the process.

Product number	Max. flow rate litres/min	Contamination capacity kgs	Max. operating pressure bar	Connection PN16 flange	Dimensions mm				
					A	B	C	D	E
FM1.5+	250	3	20	1½"	395	255	100	180	80.5
FM2.0+	500	6	20	2"	442	330	100	250	80.5