

Magnetic Battery Lifter



Battery lifter

Combines the safety, convenience and flexibility of a permanent-magnet lifter with the ease of operation of an electro-magnet.



The integral re-chargeable battery is used only to switch the lifter on and off. The lifting power is entirely provided by 'rare earth' permanent magnets. Once the magnet is switched on, the load remains held even if the battery loses charge.

No installation, no wires – simply hook to hoist or crane.

Makes lifting heavy loads a fast, easy and safe one-

man job. Allows more efficient storage and handling of materials as access is required only to the top face.

A self-activating eye-switch can be used to activate and deactivate the lifter. The magnet switches on when placed on a load and off when the load is no longer supported by the magnet. This means the operator does not have to manually switch the magnet – the operator can remain at a safe distance from the lift area.

Flexible lifting

Plate



Block



Round Bar



- Fail-safe operation
- High load capacity
- No installation

Unique replaceable rechargeable battery



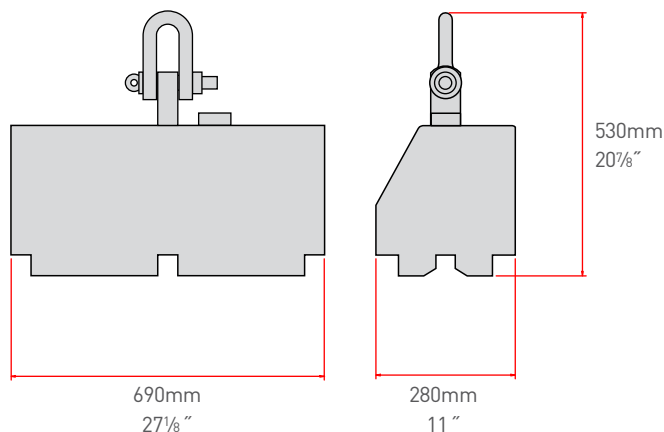
- Low battery audible/visual alarm
- Out of box operation (supplied with battery charged)

Intuitive controls



- Push-button lifting
- Automated self-activated switching as standard
- Radio remote (option)

Technical information measurements are nominal



Product no.	Load type	Self weight kg (lbs)	SWL* kg (lbs)	Min. dia. mm (inches)	Max. dia. mm (inches)
EPML1250R	Round	175 (387.5)	1250 (2,750)	200 (7.87)	400 (15.75)
EPML3000	Flat	164 (363)	3000 (6,600)	N/A	N/A

*based on required minimum material thickness

Lifting safety ratio 2:1

Max. no. of switches per charge: 200–250

Worldwide

UK and Ireland

contact: **Graham Thorpe**
T +44 (0)114 281 4319
F +44 (0)114 225 0525
sales@eclipse-magnetics.co.uk

Europe

contact: **Laurent Pirez**
T/F +33 (0)3 20 17 26 91
lpirez@eclipsemagnetics.com

Americas

Eclipse Tools North America Inc.
 442 Millen Road, Unit #9, Stoney Creek
 Ontario, L8E 6H2, Canada

contact: **Mark Ward**

T 1-800-260-2124
T 905-664-5585
F 905-664-7090
mward@eclipsetoolsinc.com

Australasia / Asia

contact: **John Dargavel**
T +44 (0)114 225 0606
F +44 (0)114 225 0610
jdargavel@eclipsemagnetics.com

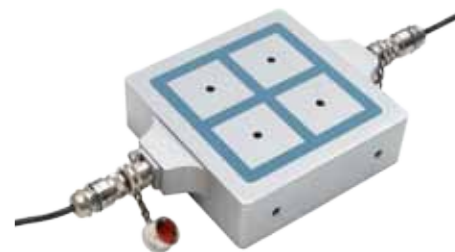
Other Eclipse Magnetics products



Lifting magnets



Lightweight battery lifter



Double Mag modular clamping system

Representative:



08-514 307 60
info@bonthron-ewing.se
www.bonthron-ewing.se

www.eclipse-magnetics.co.uk

Eclipse Magnetics Ltd

Atlas Way, Atlas North, Sheffield, S4 7QQ, England
T +44 (0)114 225 0600 **F** +44 (0)114 225 0525
enquiries@eclipse-magnetics.co.uk www.eclipse-magnetics.co.uk

